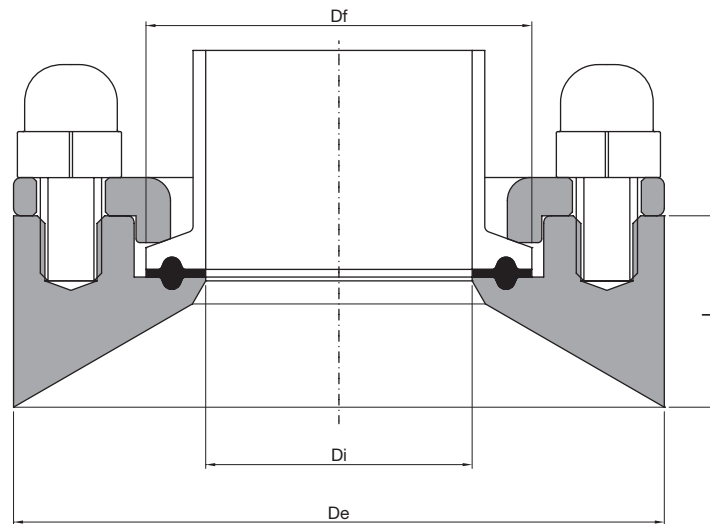


XCON ZERO DEAD LEG CONNECTION

TECHNICAL INFORMATION _ XCON - ASTM A269-A270 - AISI 316L - 1.4404 - 0,4 Ra INT - 1,2 Ra EXT



SIZE	CODE	L mm (inch)	De mm (inch)	Df mm (inch)	Di mm (inch)
A012 (1/2")	XCON-0012-0012-A0000	12,00 (0,47)	55,00 (2,17)	25,00 (0,98)	9,40 (0,37)
	XCON-0012-0025-A0000	25,00 (0,98)			
	XCON-0012-0038-A0000	38,00 (1,50)			
	XCON-0012-0051-A0000	51,00 (2,01)			
A019 (3/4")	XCON-0019-0012-A0000	12,00 (0,47)	55,00 (2,17)	25,00 (0,98)	15,75 (0,62)
	XCON-0019-0025-A0000	25,00 (0,98)			
	XCON-0019-0038-A0000	38,00 (1,50)			
	XCON-0019-0051-A0000	51,00 (2,01)			
A025 (1")	XCON-0025-0012-A0000	12,00 (0,47)	85,00 (3,35)	50,40 (1,98)	22,10 (0,87)
	XCON-0025-0025-A0000	25,00 (0,98)			
	XCON-0025-0038-A0000	38,00 (1,50)			
	XCON-0025-0051-A0000	51,00 (2,01)			
A038 (1,1/2")	XCON-0038-0012-A0000	12,00 (0,47)	85,00 (3,35)	50,40 (1,98)	34,80 (1,37)
	XCON-0038-0025-A0000	25,00 (0,98)			
	XCON-0038-0038-A0000	38,00 (1,50)			
	XCON-0038-0051-A0000	51,00 (2,01)			
A050 (2")	XCON-0050-0015-A0000	12,00 (0,47)	100,00 (3,94)	63,90 (2,52)	47,50 (1,87)
	XCON-0050-0025-A0000	25,00 (0,98)			
	XCON-0050-0038-A0000	38,00 (1,50)			
	XCON-0050-0051-A0000	51,00 (2,01)			
A063 (2,1/2")	XCON-0063-0015-A0000	12,00 (0,47)	112,00 (4,41)	77,40 (3,05)	60,20 (2,37)
	XCON-0063-0025-A0000	25,00 (0,98)			
	XCON-0063-0038-A0000	38,00 (1,50)			
	XCON-0063-0051-A0000	51,00 (2,01)			

SIZE	CODE	L mm (inch)	De mm (inch)	Df mm (inch)	Di mm (inch)
A076 (3")	XCON-0076- 0015 -A0000	12,00 (0,47)	131,00 (5,16)	90,90 (3,58)	72,90 (2,87)
	XCON-0076- 0025 -A0000	25,00 (0,98)			
	XCON-0076- 0038 -A0000	38,00 (1,50)			
	XCON-0076- 0051 -A0000	51,00 (2,01)			
A100 (4")	XCON-0100- 0015 -A0000	12,00 (0,47)	170,00 (6,69)	118,90 (4,68)	97,39 (3,83)
	XCON-0100- 0025 -A0000	25,00 (0,98)			
	XCON-0100- 0038 -A0000	38,00 (1,50)			
	XCON-0100- 0051 -A0000	51,00 (2,01)			

Welding Plate Material: 1.4404

Locking Ring Material: 1.4404

Bolts & Nuts: 1.4404 / 1.4301

Internal finishing: 0,4 Ra

External finishing: 1,2 Ra

Contacto en España y Portugal:

Juan Solá

Tel: +34 620 838 814

info@halltech.biz

www.halltech.biz

ON REQUEST



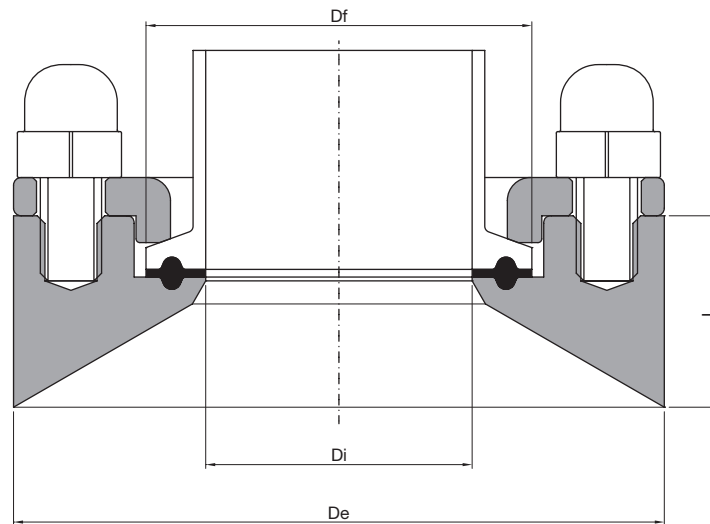
Possibility to deliver "already machined rounded plates" to be able to copy the internal shape of the vessel achieving the highest customers requirements. Customers will have a great benefit in terms of quality and cost saving on vessel manufacturing



Multiport monoblock (CADLID)
Tank covers machined from solid, no weldings, cost saving on vessel manufacturing and higher quality achieved.

XCON ZERO DEAD LEG CONNECTION

TECHNICAL INFORMATION _ XCON - DIN 32676 & 11850 SERIES 1-3 - AISI 316L - 1.4404 -
0,4 Ra INT - 1,2 Ra EXT



SIZE	CODE	L mm (inch)	De mm (inch)	Df mm (inch)	Di mm (inch)
DN10	XCON-0010-0012-D0000	12,00 (0,47)	70,00 (2,76)	34,00 (1,34)	10,00 (0,39)
	XCON-0010-0025-D0000	25,00 (0,98)			
	XCON-0010-0038-D0000	38,00 (1,50)			
	XCON-0010-0051-D0000	51,00 (2,01)			
DN15	XCON-0015-0012-D0000	12,00 (0,47)	70,00 (2,76)	34,00 (1,34)	16,00 (0,63)
	XCON-0015-0025-D0000	25,00 (0,98)			
	XCON-0015-0038-D0000	38,00 (1,50)			
	XCON-0015-0051-D0000	51,00 (2,01)			
DN20	XCON-0020-0012-D0000	12,00 (0,47)	70,00 (2,76)	34,00 (1,34)	20,00 (0,79)
	XCON-0020-0025-D0000	25,00 (0,98)			
	XCON-0020-0038-D0000	38,00 (1,50)			
	XCON-0020-0051-D0000	51,00 (2,01)			
DN25	XCON-0025-0012-D0000	12,00 (0,47)	85,00 (3,35)	50,50 (1,99)	26,00 (1,02)
	XCON-0025-0025-D0000	25,00 (0,98)			
	XCON-0025-0038-D0000	38,00 (1,50)			
	XCON-0025-0051-D0000	51,00 (2,01)			
DN32	XCON-0032-0012-D0000	12,00 (0,47)	85,00 (3,35)	50,50 (1,99)	32,00 (1,26)
	XCON-0032-0025-D0000	25,00 (0,98)			
	XCON-0032-0038-D0000	38,00 (1,50)			
	XCON-0032-0051-D0000	51,00 (2,01)			
DN40 (Flange 50.50)	XCON-0040-0012-D0050	12,00 (0,47)	85,00 (3,35)	50,50 (1,99)	38,00 (1,50)
	XCON-0040-0025-D0050	25,00 (0,98)			
	XCON-0040-0038-D0050	38,00 (1,50)			
	XCON-0040-0051-D0050	51,00 (2,01)			

SIZE	CODE	L mm (inch)	De mm (inch)	Df mm (inch)	Di mm (inch)
DN40 (Flange 64.00)	XCON-0040-0015-D0064	12,00 (0,47)	100,00 (3,94)	64,00 (2,52)	38,00 (1,50)
	XCON-0040-0025-D0064	25,00 (0,98)			
	XCON-0040-0038-D0064	38,00 (1,50)			
	XCON-0040-0051-D0064	51,00 (2,01)			
DN50	XCON-0050-0015-D0000	12,00 (0,47)	100,00 (3,94)	64,00 (2,52)	50,00 (1,97)
	XCON-0050-0025-D0000	25,00 (0,98)			
	XCON-0050-0038-D0000	38,00 (1,50)			
	XCON-0050-0051-D0000	51,00 (2,01)			
DN65	XCON-0065-0015-D0000	12,00 (0,47)	131,00 (5,16)	91,00 (3,58)	66,00 (2,60)
	XCON-0065-0025-D0000	25,00 (0,98)			
	XCON-0065-0038-D0000	38,00 (1,50)			
	XCON-0065-0051-D0000	51,00 (2,01)			
DN80	XCON-0080-0015-D0000	12,00 (0,47)	146,00 (5,75)	106,00 (4,17)	81,00 (3,19)
	XCON-0080-0025-D0000	25,00 (0,98)			
	XCON-0080-0038-D0000	38,00 (1,50)			
	XCON-0080-0051-D0000	51,00 (2,01)			
DN100	XCON-0100-0015-D0000	12,00 (0,47)	170,00 (6,69)	119,00 (4,69)	100,00 (3,94)
	XCON-0100-0025-D0000	25,00 (0,98)			
	XCON-0100-0038-D0000	38,00 (1,50)			
	XCON-0100-0051-D0000	51,00 (2,01)			

Welding Plate Material: 1.4404

Locking Ring Material: 1.4404

Bolts & Nuts: 1.4404 / 1.4301

Internal finishing: 0,4 Ra

External finishing: 1,2 Ra

Contacto en España y Portugal:

Juan Solá

Tel: +34 620 838 814

info@halltech.biz

www.halltech.biz

ON REQUEST



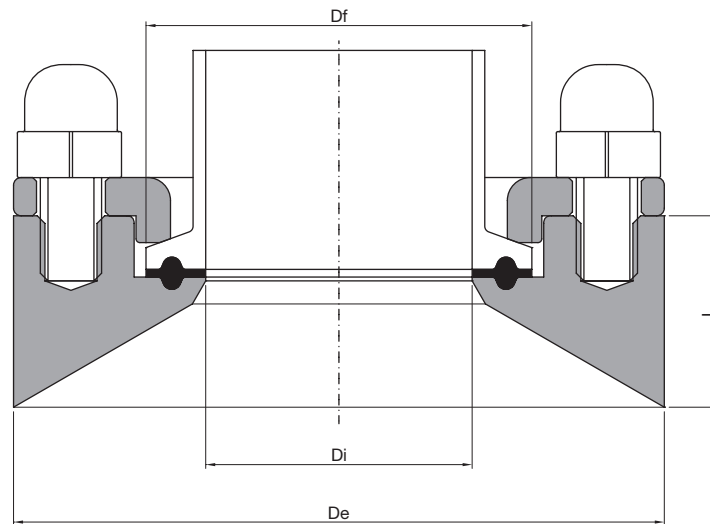
Possibility to deliver "already machined rounded plates" to be able to copy the internal shape of the vessel achieving the highest customers requirements. Customers will have a great benefit in terms of quality and cost saving on vessel manufacturing



Multiport monoblock (CADLID)
Tank covers machined from solid, no weldings, cost saving on vessel manufacturing and higher quality achieved.

XCON ZERO DEAD LEG CONNECTION

TECHNICAL INFORMATION _ XCON - ISO 1127 SERIE 1 - AISI 316L - 1.4404 - 0,4 Ra INT - 1,2 Ra EXT



SIZE	CODE	L mm (inch)	De mm (inch)	Df mm (inch)	Di mm (inch)
DN8 (Flange 25.00)	XCON-0008-0012-I0025	12,00 (0,47)	55,00 (2,17)	25,00 (0,98)	10,30 (0,41)
	XCON-0008-0025-I0025	25,00 (0,98)			
	XCON-0008-0038-I0025	38,00 (1,50)			
	XCON-0008-0051-I0025	51,00 (2,01)			
DN8 (Flange 34.00)	XCON-0008-0012-I0034	12,00 (0,47)	70,00 (2,76)	34,00 (1,34)	10,30 (0,41)
	XCON-0008-0025-I0034	25,00 (0,98)			
	XCON-0008-0038-I0034	38,00 (1,50)			
	XCON-0008-0051-I0034	51,00 (2,01)			
DN10 (Flange 25.00)	XCON-0010-0012-I0025	12,00 (0,47)	55,00 (2,17)	25,00 (0,98)	14,00 (0,55)
	XCON-0010-0025-I0025	25,00 (0,98)			
	XCON-0010-0038-I0025	38,00 (1,50)			
	XCON-0010-0051-I0025	51,00 (2,01)			
DN10 (Flange 34.00)	XCON-0010-0012-I0034	12,00 (0,47)	70,00 (2,76)	34,00 (1,34)	14,00 (0,55)
	XCON-0010-0025-I0034	25,00 (0,98)			
	XCON-0010-0038-I0034	38,00 (1,50)			
	XCON-0010-0051-I0034	51,00 (2,01)			
DN15	XCON-0015-0012-I0000	12,00 (0,47)	70,00 (2,76)	34,00 (1,34)	18,10 (0,71)
	XCON-0015-0025-I0000	25,00 (0,98)			
	XCON-0015-0038-I0000	38,00 (1,50)			
	XCON-0015-0051-I0000	51,00 (2,01)			
DN20	XCON-0020-0012-I0000	12,00 (0,47)	85,00 (3,35)	50,50 (1,99)	23,70 (0,93)
	XCON-0020-0025-I0000	25,00 (0,98)			
	XCON-0020-0038-I0000	38,00 (1,50)			
	XCON-0020-0051-I0000	51,00 (2,01)			

SIZE	CODE	L mm (inch)	De mm (inch)	Df mm (inch)	Di mm (inch)
DN25	XCON-0025-0012-I0000	12,00 (0,47)	85,00 (3,35)	50,50 (1,99)	29,70 (1,17)
	XCON-0025-0025-I0000	25,00 (0,98)			
	XCON-0025-0038-I0000	38,00 (1,50)			
	XCON-0025-0051-I0000	51,00 (2,01)			
DN32 (Flange 50.50)	XCON-0032-0012-I0050	12,00 (0,47)	85,00 (3,35)	50,50 (1,99)	38,40 (1,51)
	XCON-0032-0025-I0050	25,00 (0,98)			
	XCON-0032-0038-I0050	38,00 (1,50)			
	XCON-0032-0051-I0050	51,00 (2,01)			
DN32 (Flange 64.00)	XCON-0032-0012-I0064	12,00 (0,47)	100,00 (3,94)	64,00 (2,52)	38,40 (1,51)
	XCON-0032-0025-I0064	25,00 (0,98)			
	XCON-0032-0038-I0064	38,00 (1,50)			
	XCON-0032-0051-I0064	51,00 (2,01)			
DN40	XCON-0040-0012-I0000	12,00 (0,47)	100,00 (3,94)	64,00 (2,52)	44,30 (1,74)
	XCON-0040-0025-I0000	25,00 (0,98)			
	XCON-0040-0038-I0000	38,00 (1,50)			
	XCON-0040-0051-I0000	51,00 (2,01)			
DN50	XCON-0050-0012-I0000	12,00 (0,47)	112,00 (4,41)	77,50 (3,05)	56,30 (2,22)
	XCON-0050-0025-I0000	25,00 (0,98)			
	XCON-0050-0038-I0000	38,00 (1,50)			
	XCON-0050-0051-I0000	51,00 (2,01)			
DN65	XCON-0065-0012-I0000	12,00 (0,47)	131,00 (5,16)	91,00 (3,58)	72,10 (2,84)
	XCON-0065-0025-I0000	25,00 (0,98)			
	XCON-0065-0038-I0000	38,00 (1,50)			
	XCON-0065-0051-I0000	51,00 (2,01)			
DN80	XCON-0080-0012-I0000	12,00 (0,47)	146,00 (5,75)	106,00 (4,17)	84,30 (3,32)
	XCON-0080-0025-I0000	25,00 (0,98)			
	XCON-0080-0038-I0000	38,00 (1,50)			
	XCON-0080-0051-I0000	51,00 (2,01)			

Welding Plate Material: 1.4404

Locking Ring Material: 1.4404

Bolts & Nuts: 1.4404 / 1.4301

Internal finishing: 0,4 Ra

External finishing: 1,2 Ra

Contacto en España y Portugal:

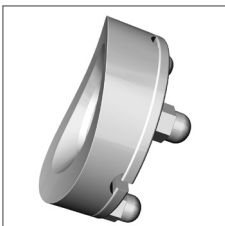
Juan Solá

Tel: +34 620 838 814

info@halltech.biz

www.halltech.biz

ON REQUEST



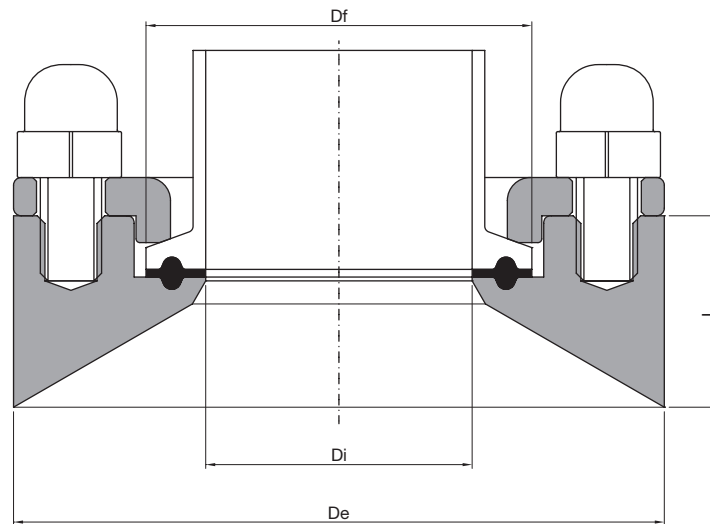
Possibility to deliver "already machined rounded plates" to be able to copy the internal shape of the vessel achieving the highest customers requirements. Customers will have a great benefit in terms of quality and cost saving on vessel manufacturing



Multiport monoblock (CADLID)
 Tank covers machined from solid, no weldings, cost saving on vessel manufacturing and higher quality achieved.

XCON ZERO DEAD LEG CONNECTION

TECHNICAL INFORMATION _ XCON - SMS 3008 - AISI 316L - 1.4404 - 0,4 Ra INT - 1,2 Ra EXT



SIZE	CODE	L mm (inch)	De mm (inch)	Df mm (inch)	Di mm (inch)
S12	XCON-0012- 0012 -S0000	12,00 (0,47)	55,00 (2,17)	25,00 (0,98)	10,00 (0,39)
	XCON-0012- 0025 -S0000	25,00 (0,98)			
	XCON-0012- 0038 -S0000	38,00 (1,50)			
	XCON-0012- 0051 -S0000	51,00 (2,01)			
S18	XCON-0018- 0012 -S0000	12,00 (0,47)	55,00 (2,17)	25,00 (0,98)	15,00 (0,59)
	XCON-0018- 0025 -S0000	25,00 (0,98)			
	XCON-0018- 0038 -S0000	38,00 (1,50)			
	XCON-0018- 0051 -S0000	51,00 (2,01)			
S25	XCON-0025- 0012 -S0000	12,00 (0,47)	85,00 (3,35)	50,50 (1,99)	22,60 (0,89)
	XCON-0025- 0025 -S0000	25,00 (0,98)			
	XCON-0025- 0038 -S0000	38,00 (1,50)			
	XCON-0025- 0051 -S0000	51,00 (2,01)			
S38	XCON-0038- 0012 -S0000	12,00 (0,47)	85,00 (3,35)	50,50 (1,99)	35,60 (1,40)
	XCON-0038- 0025 -S0000	25,00 (0,98)			
	XCON-0038- 0038 -S0000	38,00 (1,50)			
	XCON-0038- 0051 -S0000	51,00 (2,01)			
S51	XCON-0051- 0015 -S0000	12,00 (0,47)	100,00 (3,94)	64,00 (2,52)	48,60 (1,91)
	XCON-0051- 0025 -S0000	25,00 (0,98)			
	XCON-0051- 0038 -S0000	38,00 (1,50)			
	XCON-0051- 0051 -S0000	51,00 (2,01)			
S64	XCON-0064- 0015 -S0000	12,00 (0,47)	112,00 (4,41)	77,50 (3,05)	60,30 (2,37)
	XCON-0064- 0025 -S0000	25,00 (0,98)			
	XCON-0064- 0038 -S0000	38,00 (1,50)			
	XCON-0064- 0051 -S0000	51,00 (2,01)			

SIZE	CODE	L mm (inch)	De mm (inch)	Df mm (inch)	Di mm (inch)
S76	XCON-0076- 0015 -S0000	12,00 (0,47)	131,00 (5,16)	91,00 (3,58)	72,90 (2,87)
	XCON-0076- 0025 -S0000	25,00 (0,98)			
	XCON-0076- 0038 -S0000	38,00 (1,50)			
	XCON-0076- 0051 -S0000	51,00 (2,01)			
S102	XCON-0102- 0015 -S0000	12,00 (0,47)	170,00 (6,69)	119,00 (4,69)	97,60 (3,84)
	XCON-0102- 0025 -S0000	25,00 (0,98)			
	XCON-0102- 0038 -S0000	38,00 (1,50)			
	XCON-0102- 0051 -S0000	51,00 (2,01)			

Welding Plate Material: 1.4404

Locking Ring Material: 1.4404

Bolts & Nuts: 1.4404 / 1.4301

Internal finishing: 0,4 Ra

External finishing: 1,2 Ra

Contacto en España y Portugal:

Juan Solá

Tel: +34 620 838 814

info@halltech.biz

www.halltech.biz

ON REQUEST



Possibility to deliver “already machined rounded plates” to be able to copy the internal shape of the vessel achieving the highest customers requirements. Customers will have a great benefit in terms of quality and cost saving on vessel manufacturing



Multiport monoblock (CADLID)
Tank covers machined from solid, no weldings, cost saving on vessel manufacturing and higher quality achieved.